



FIBERA, INC.

3350 Scott Boulevard, Bldg. 56
 Santa Clara, CA 95054
 Tel: 408-492-9555
 Fax: 408-492-9559
<http://www.fiberainc.com/>

DWDM ITU CALIBRATOR

**Patents pending*

- **Multi-channel capability**
- **Superior accuracy, ease of operation**
- **Hermetically sealed filter to ensure long term reliability**
- **Athermal, no temperature control / compensation**
- **Calibrate OSAs, wavelength meters and tunable lasers**

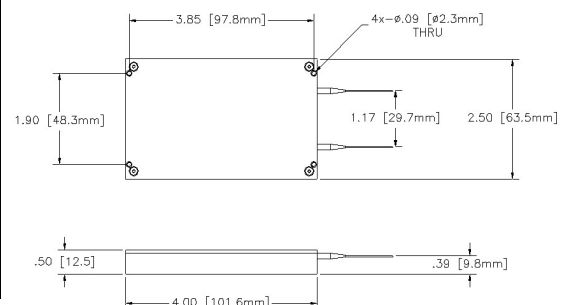
The Fibera **DWDM ITU Calibrator (FPIC)** series is a module. Its core is a high accuracy Fabry-Perot reflection notch filter based on a newly developed, proprietary technology. These filters can be aligned to 25, 50 or 100GHz ITU grid, exhibiting absolute accuracy of ± 1.25 GHz over operation temperature, grid alignment, operating wavelength range and aging.

The Fibera FPIC module includes a hermetically sealed filter which is insensitive to environmental temperature variations. Hermetic sealing not only ensures the accuracy of laser wavelength, but also the reliability of the device.

The Fibera FPIC is ideal as a convenient calibration device for optical spectrum analyzer, optical performance monitor and other standard wavelength monitoring instruments requiring improved wavelength accuracy.

PRELIMINARY SPECIFICATIONS

Parameters	Units	Value
Technology		Athermal precision etalon
Wavelength Range (ITU grid)	nm	1525-1620
Center Channel Accuracy	GHz	$\leq \pm 1.25$
Storage Temperature	$^{\circ}\text{C}$	-40 to +85
Thermal Stability	GHz	± 0.3
Notch Depth	dB	> 25
Insertion Loss	dB	6 (typical)
Polarization Dependent Accuracy	GHz	< 0.1
Max. Operating Power	mW	300
Operating Temperature	$^{\circ}\text{C}$	0 to +70
Dimensions	mm	101.6 x 63.5 x 12.5



Mechanical Dimensions